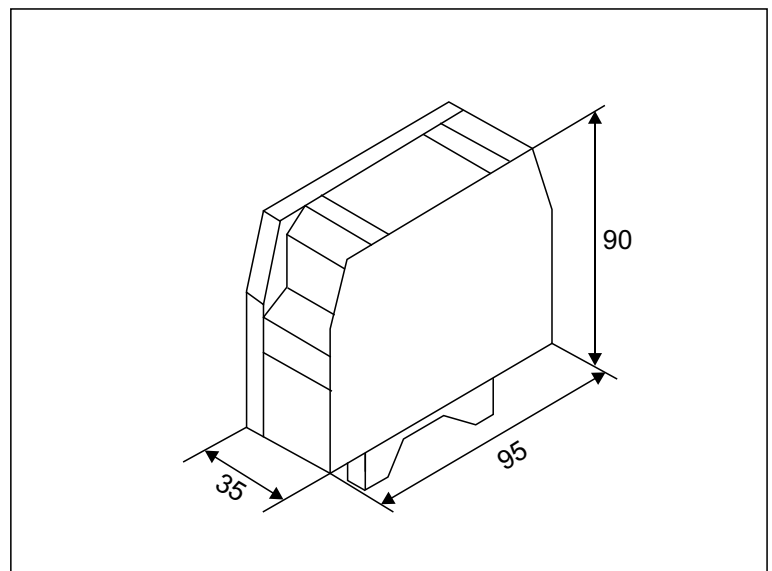




## SK10.400

### Signal converter with frequency divider

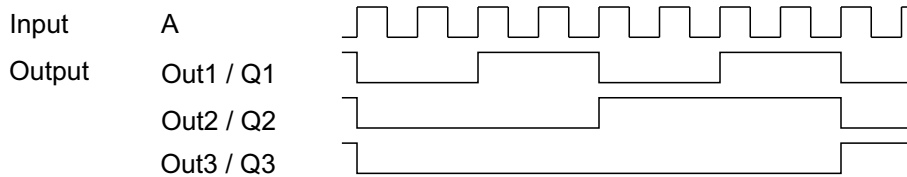
- Converts signal level from 5/12/24 V to RS 422-Signals and 24 V (PLC-compatible)
- Frequency division by 4, 8, and 16
  
- Galvanic insulation



**Order data:** SK10.400 Frequency divider

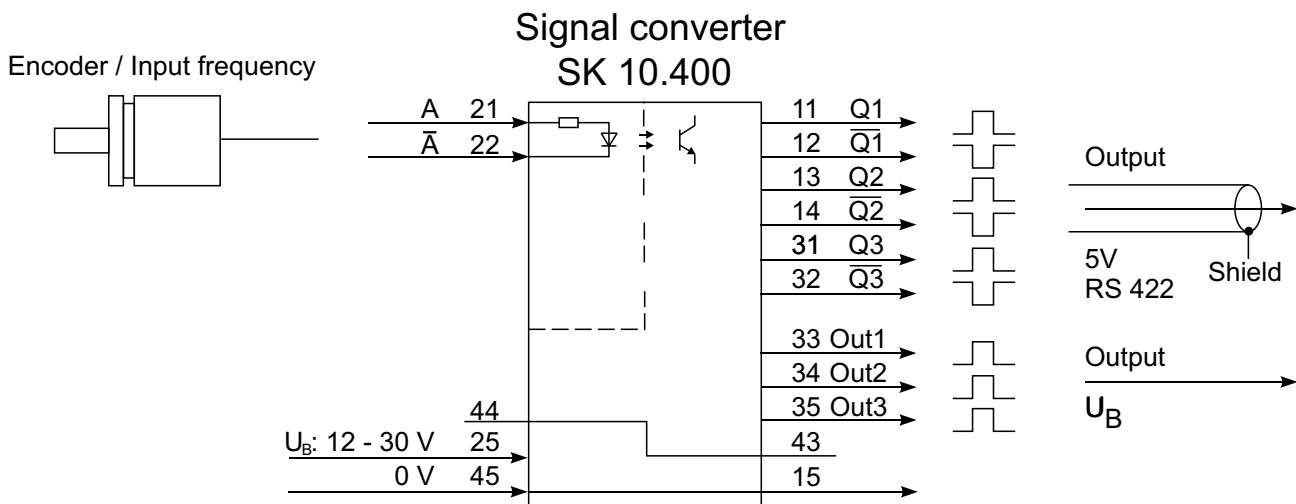
## Example

SK10.400 Signal level conversion from 5 V to 24 V-Signals or 24 V to 5 V-Signals  
Frequency division by 4, 8, 16



## Technical Data

<b>General</b>		<b>Power supply</b>	
Ambient temperature:	0 ... +50 °C	Input voltage:	
Storage temperature:	-20 ... +70 °C	Nominal value:	24 VDC +/- 20 %
Weight:	ca. 0,1 kg	Admissible range:	12 - 30 VDC
Dimensions:	35x90x95 (WxDxH in mm)	Ripple:	< 5 %
Connection:	Screw with wire-protection	Wrong polarity prot.:	yes
Mounting:	DIN-rail TS 35	Current consumpt.:	ca. 0,1 A
Protection class:	IP20		
<b>Encoder signals</b>			
Signal-Level:	5 - 30 VDC		
Frequency (12 - 30 V-Outputs):	100 kHz		
Frequency (RS 422-Outputs):	300 kHz		



Subject to changes