



SC30

Servo Controller

- Positioning, speed and torque control
- Digital 4-Q control
- Speed set-point analogue
+/- 10 V DC / 0...10 V DC with direction signal
- Stepper motor simulation, clock + direction inputs
- Safe Torque Off category 3 PL e (EN ISO 13849-1)
- Integrated ballast circuit
- Brake control
- Direct status- and diagnostics
- Digital inputs and outputs (24 V DC)
- RS232 for parameter adjustment
- Separate logic supply 24 V DC, wrong polarity protected

Order options:

- Motor supply 230 V AC / 400 V AC
- Galvanic insulated fieldbus interface:
 - RS232 / Rs422 / RS485
 - PROFIBUS-DP
 - PROFINET-IO
 - CANopen DSP402
 - EtherCAT CoE
 - Through switches adjustable bus address & baud rate
- Motor feedback:
 - Resolver
 - Hiperface
 - EnDat 2.2



Direct Mains supply
230V / 400V

Integrated
line filter!



Digital AC Servo Controller SC30

The SC30 is a servo controller for current, speed, and position control of AC servo motors with resolver technology, HIPERFACE® or EnDat2.2 encoder interface.

The power supply and a ballast circuit are already integrated.

Up to 31 positions (motion records) can be stored and retrieved via inputs.

Alternatively, an analogue +/- 10 V signal can specify the setpoint for speed or torque.

An optional fieldbus interface (PROFIBUS-DP, PROFINET-IO, CANopen DSP402, EtherCAT or Rs232 / Rs422 / RS485) allows direct access to all motion data and functions.

Incremental encoder outputs simulate an encoder with a configurable pulse number. Alternatively, an input for encoders or clock and direction signals can be activated as a position setpoint.

The status and error notification is provided by a 7-segment display and additional status outputs.

Due to the very compact design, the device requires little space within the control cabinet.

The PC software "ServoLink" comfortably enables all required settings.

Technical Data

General:

Ambience temperature:	0...+40°C at rated power
Derating:	2 %/K with temperatures >40°...50°C
Humidity:	5...85%, non-condensing
Cooling:	Convective cooling
Dimensions:	86 x 238 x 205 mm (W x H x D)

Output stage:

	Galvanic insulation from control stage according to VDE 0160, Short-circuit and ground-fault proof for <2000 incidents
Supply voltage:	230 V AC / 400 V AC (see order code)
Rated current:	15 A
Peak current:	30 A

Ballast circuit:

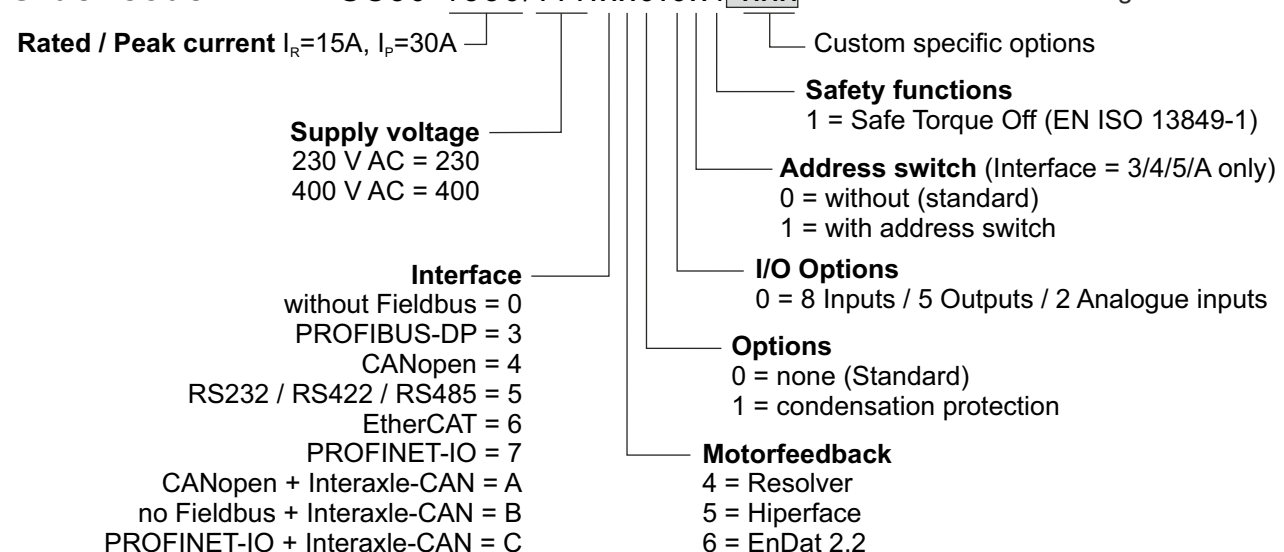
Self-adjusting ballast threshold
Integrated ballast resistor
Connection for external ballast resistor

Control stage:

	Complete galvanic insulation to power stage, see above
Supply voltage:	24 V DC, unregulated (+20%, -10%)
Power consumption:	Approx. 8 W

Order code:

SC30-1530/vvv.xx0.0x1-xxx



All data in this folder are of informative character without warranty of characteristics. Changes without previous announcement reserved.

esitron-electronic GmbH

Ernst-Zimmermann-Str. 18 Tel. +49(0)7541-6000-0
D-88045 Friedrichshafen Fax +49(0)7541-6000-11
Internet: www.esitron.de E-Mail: info@esitron.de