



## MHG102

### Electronic Handwheel for Rotary Table Controllers CPS20 / CDS22 / CPS300

- 100 Impulses per revolution
- Break resistant ABS-plastics
- Magnetic detents every 3,6°
- Protection class IP65
- Selection switches X, Y, Z, 4 and x1, x10
- Green monitoring LED (nom 24V DC)
- Optional with additional emergency stop

### RS422 Outputs



## Example of use

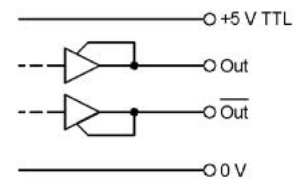
The handwheel MHG102 is a complete hand held unit with 100 Impulses/360° for die exact manual positioning of von machine tools. It features switches for 4 directions of motion (X, Y, Z, 4) and 2 different increments (x1, x10). The MHG102 is the ideal input unit for machine tools of all kinds.

## Technical Data

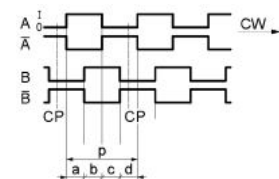
Mechanical values	
Scaling	1%
Revolution speed	max. 600 min <sup>-1</sup>
Torque	3 ... 6 Ncm
Load on axle	20N radial 10N axial
Weight	0,4kg
Environment	
Vibration	150 ms <sup>-2</sup> (55Hz / 2h)
Shock	490 ms <sup>-2</sup> (11ms)
Working temperature	-10 ... +60°C
Storage temperature	-30 ... +80°C
Humidity	max. 90% r.h.
Protection class	IP65
Electrical values	
Signal acquisition	Optical, contact less
Supply voltage	+5V DC +/- 5%
	5 ... 12V DC
Current consumption	60mA typ.
Signal level	High = Vcc - 1V Low ≤ 0,5V (20mA)
Output capacity	20mA
Voltage resistance of outputs	+50V

### Outputs:

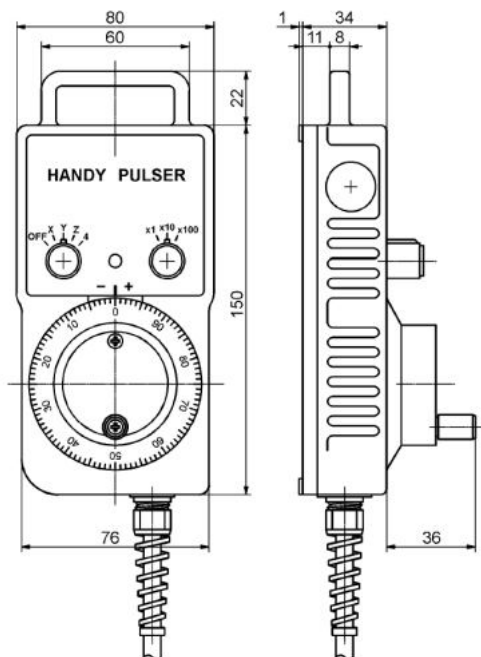
Circuitry:



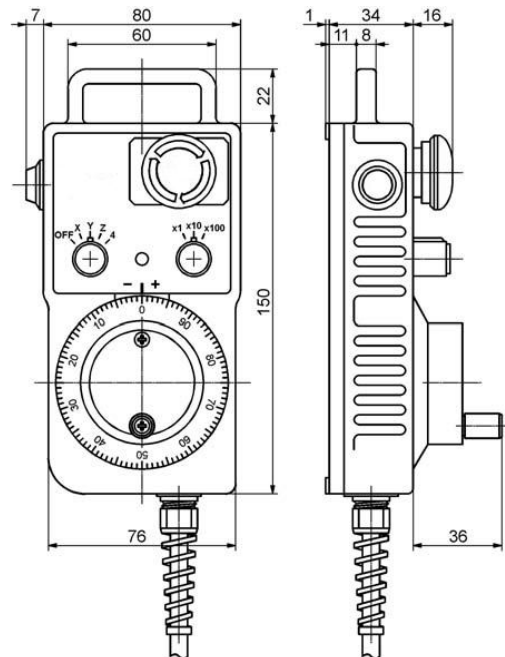
Impulse diagrams:



### Dimensions:



### With Emergency-Stop:



All data in this brochure have an informative character without warranty of characteristics. Changes without previous announcement reserved.

**esitron-electronic GmbH**

Ernst-Zimmermann-Str. 18  
D-88045 Friedrichshafen  
Internet: [www.esitron.de](http://www.esitron.de)

Tel. +49(0)7541-6000-0  
Fax +49(0)7541-6000-11  
E-Mail: [info@esitron.de](mailto:info@esitron.de)