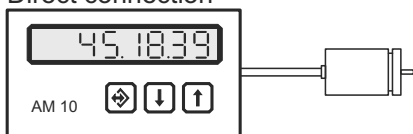


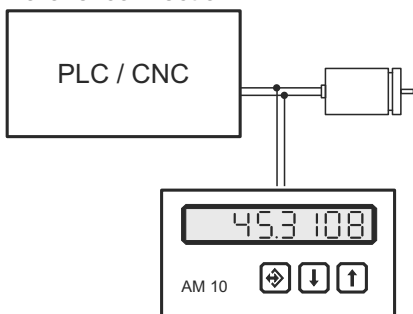
AM10

Display module for incremental SSI, Transsonar or EnDat 2.2 - encoders

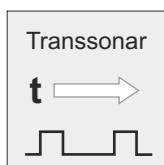
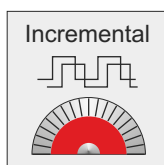
Direct connection



Parallel connection



- Wide display range (7 1/2 digits)
- Easy legible LED display (red, 14mm digit height)
- Scalable measurement (mm, inch, liter degree (decimal or minutes and seconds)
- Adjustable number of decimal places
- Adjustable zero point and counting direction
- 10...32 VDC supply voltage
- 2 multifunction digital inputs - alternative functions:
 - External zero-setting (relatively, absolutely)
 - Freeze display
 - Display minimal/maximal value
 - Enable keyboard
- 2 programmable relay outputs, each with a max. load of 1A(250 VAC) or 2A(24 VDC), possible functions:
 - Limit switch/comparator
 - Cam
 - Two-position-controller



SSI up to 32 Bit!

- Dimensions and cut-out according to DIN 43700:
 - Dimensions: 144 x 72 x 111 mm (W x H x D)
 - Mounting cut-out: 68^(+0,7) x 138^(+1,0) mm

All data in this brochure have an informative character without warranty of characteristics. Changes without previous announcement reserved.

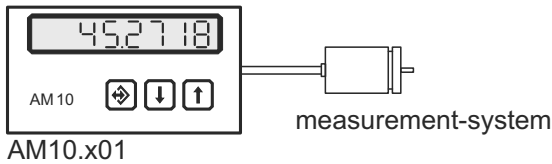
esitron-electronic GmbH

Ernst-Zimmermann-Str. 18 Tel. +49(0)7541-6000-0
 D-88045 Friedrichshafen Fax +49(0)7541-6000-11
 Internet: www.esitron.de E-Mail: info@esitron.de

Possible connections: direct or parallel

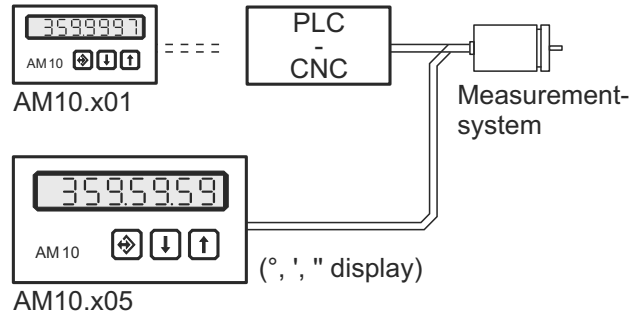
Direct connection

to various measurement-systems



Parallel connection

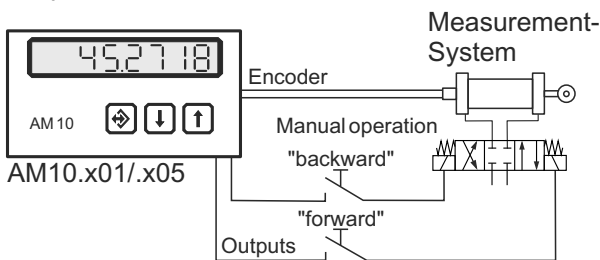
to other equipment like AM10 or PLC / CNC



Application examples

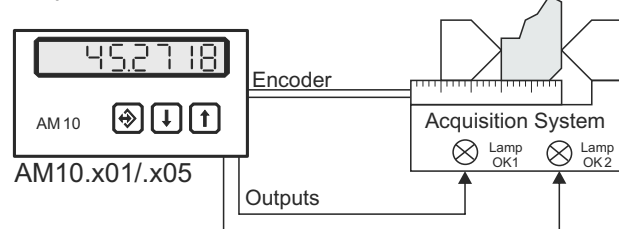
Displayunit with range-limiting function

Outputs with limit-switch function



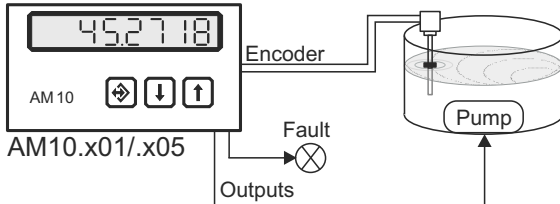
Measurement with tolerance monitoring

Outputs with cam-function



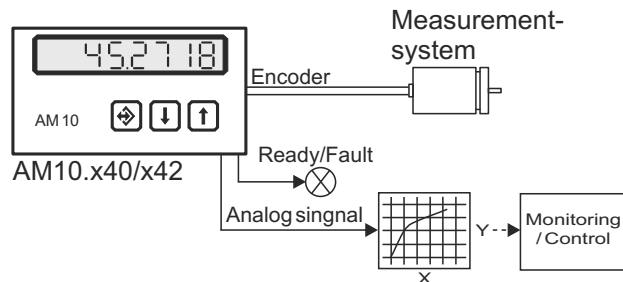
Level control with range monitoring

Outputs with cam and two-position controller



Interfacing analog systems

with optional 16 Bit analog output



Order data

- AM10.101** for incremental encoders, for direct as well as parallel connection
- AM10.201** for SSI absolute encoders (direct connection only) up to 32 Bit
- AM10.205** like AM10.201, for direct or parallel connection (adjustable)
- AM10.401** for ultrasonic encoders (direct connection only)
- AM10.405** like AM10.401, for direct or parallel connection (adjustable)
- AM10.701** for EnDat 2.2 - encoders, direct connection

Options

- AM10.xx6** 4 Transistor-outputs (+24 V, high-side switch)
 - AM10.xx7** like AM10.xx6, for direct or parallel connection (adjustable)
 - AM10.x1x** Delivers the displayed value to an RS232-Interface
 - AM10.x40** with 16 Bit analog output (selectable 0-10 V, 0-20 mA, 4-20 mA), supply voltage of 24 VDC +/- 20% required, with a "ready"-relay output, response of output can be defined freely within two points.
 - AM10.x42** like AM10.x40, for parallel connection only
 - AM10.x50** like AM10.x40, with RS232-Interface
 - AM10.x52** like AM10.x42, with RS232-Interface
- Further options on request

Accessories (Samples)

- AM10.xxx.2** Tabletop enclosure with integrated power supply (110 VAC/+24 VDC) and cord.
- 652.01014-0** Wall-plug (US-style), 110 V AC / +24 VDC, 0,5 A
- Encoders** Various measurement-systems on request.