



PGA52/PGA60

Planetary gear boxes for esiMot6/x

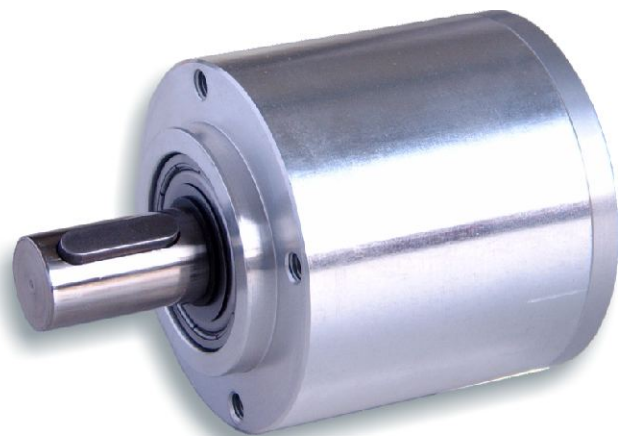
PGA52

- Ratio 4,5 - 400
- Driving torque max. 24 Nm
- Play
 - max. 40' (1-stage)
 - max. 50' (2-stage)
 - max. 60' (3-stage)

Compact size
Value for money

PGA60

- Ratio 3 -49
- Driving torque max. 25 Nm
- Play
 - max. 25' (1-stage)
 - max. 30' (2-stage)



Selecting the right size

PGA52		
Stages	Ratio	M_N [Nm]
1	4,5	1,2
	6,25	1,2
2	20,25	8,0
	28,125	8,0
	36	8,0
	50	8,0
3	91,12	24
	126,56	24
	162	24
	225	24

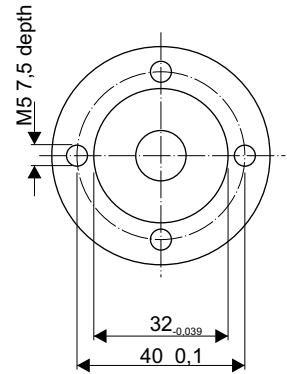
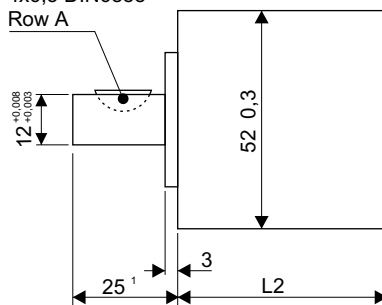
Bold print = preferred types

PGA60		
Stages	Ratio	M_N [Nm]
1	3	5
	4	5
	7*	5
2	12	25
	16	25
	21*	25
	49*	25

*) Special made, only on request

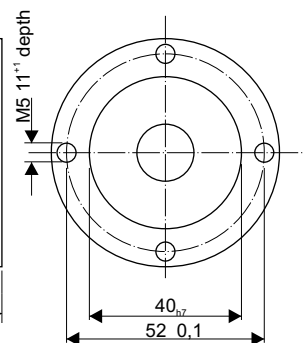
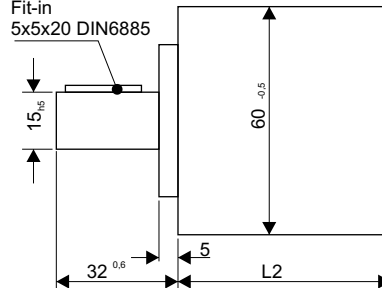
PGA52				
Stages		1	2	3
Play	[']	40	50	60
Efficiency	[%]	90	81	73
Axial-Load max.	[N]	500		
Radial-Load max.	[N]	350		
L2 (esiMot6)	[mm]	50	65,5	80,5

round-ended
feather key
4x6,5 DIN6888
Row A



PGA60			
Stages		1	2
Play	[']	15	30
Efficiency	[%]	90	81
Axial-Load max.	[N]	500	
Radial-Load max.	[N]	350	
Length L2	[mm]	56	83

Fit-in
5x5x20 DIN6885



Subject to changes.