



## M1-7

### 4 Digit Digital Meter

- 10mm red LED Display range -1999 ... 9999
- Supply voltage galvanically insulated
- Min-/Max-Value acquisition
- Tare function
- Zeropoint calming
- Code-protected programming
- IP65 at front
- Measurement:
  - DC - Voltage
  - DC - Current
  - DC - Voltage with shunt
  - Resistance, Potentiometer
  - Thermocouple
  - PT100 (2+3 Wire)

**Small and compact**  
**48 x 24mm**



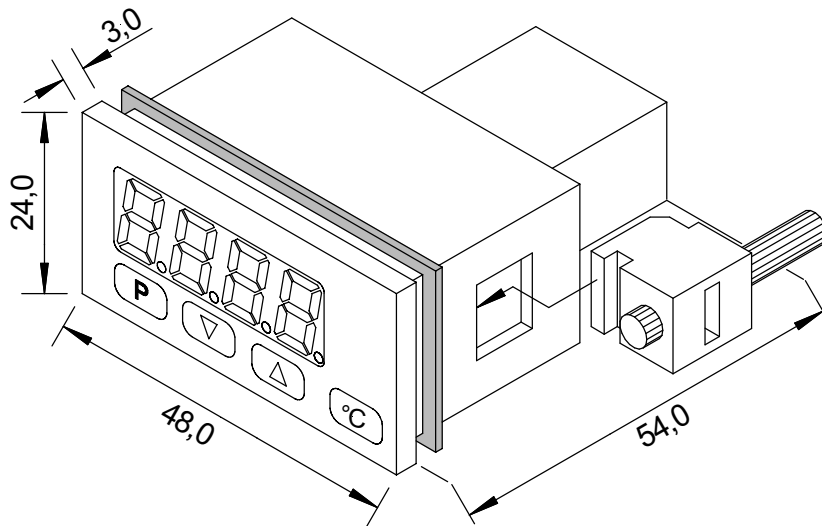
## M1-7

Compact display unit for analog measurement.

### Technical Data:

Measurement rate	0,1 ... 10 sec
Measurement error	+/- 0,1% of measurement value, +/- 1 Digit
Temperature coefficient	~100ppm/K
Supply voltage	24Vdc +/-10% galvanically insulated
Power consumption	ca. 1 W
Connection	On the backside with plugable clamps up to 2,5mm <sup>2</sup>
Ambience temperature	0 ... +60°C
Storage temperature	-20 ... +80°C
Dimensions	48x24x54 mm(WxHxD) (including clamps)
Cut out	45,0 <sup>+0,6</sup> x 22,2 <sup>+0,3</sup> mm
Mounting	Screw-element for panel-thickness up to 3mm
Protection class	IP65 Front
	IP00 Back
Weight	ca. 50g

### Dimensions:



### Order code:

Type No.	Measurement	Range
M1-7V		
.R4A0001	DC-Voltage, DC-Current	+/-10V; 0/4...20mA
.R4A0002	DC-Voltage (Shunt)	60mV; 150mV
.R4A0005	Poentiometer	1kΩ ... 100kΩ
.R4A0806	Resistance	1kΩ
.R4A0506	Resistance	10kΩ
.R4A0606	Resistance	100kΩ
.R4A0706	Resistance	1MΩ
M1-7T		
.R4A030C	PT100 (2-/3- wire)	-200°C ... 850°C
.R4A040X	Thermocouple	Type B, E, J, K, L, N, R, S, T

All data in this brochure have an informative character without warranty of characteristics. Changes without previous announcement reserved.

**esitron-electronic GmbH**

Ernst-Zimmermann-Str. 18  
D-88045 Friedrichshafen  
Internet: [www.esitron.de](http://www.esitron.de)

Tel. +49(0)7541-6000-0  
Fax +49(0)7541-6000-11  
E-Mail: [info@esitron.de](mailto:info@esitron.de)