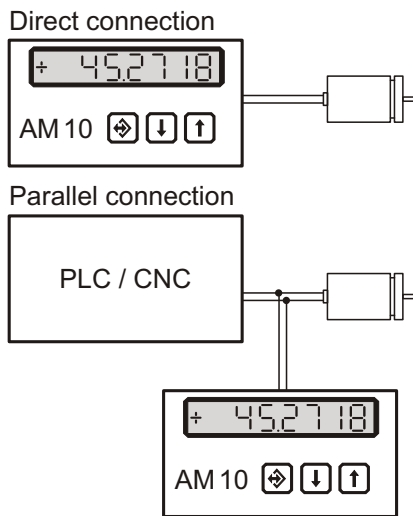




Displaymodule AM10

for incremental encoders
for SSI encoders
for ultrasonic encoders



- Wide display range (7 1/2 digits)
- Easy legible LED display (red, 14mm digit height)
- Scalable measurement (mm, Inch, degree, Litre)
- Adjustable number of decimal places
- Adjustable zero point and counting direction
- 10...32 VDC supply voltage
- 2 multifunction digital inputs - alternative functions:
 - External zero-setting (relatively, absolutely)
 - Freeze display
 - Display minimal/maximal value
 - Enable keyboard
- 2 programmable relay outputs, each with a max. load of 1A (250 VAC) or 2A (24 VDC), possible functions:
 - Limit switch/comparator
 - Cam
 - Two-position-controller



- Dimensions and cut-out according to DIN 43700:
 - Dimensions: 144 x 72 x 111 mm (W x H x D)
 - Mounting cut-out: 68^(+0,7) x 138^(+1,0) mm



All data in this brochure have an informative character without warranty of characteristics. Changes without previous announcement reserved.

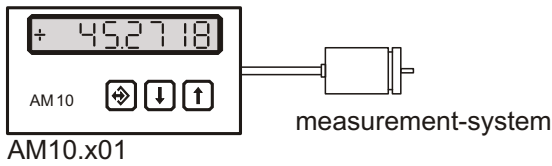
esitron-electronic GmbH

Ernst-Zimmermann-Str. 18 Tel. +49 (0)7541-6000-0
D-88045 Friedrichshafen Fax +49 (0)7541-6000-11
Internet: www.esitron.de E-Mail: info@esitron.de

Possible connections: direct or parallel

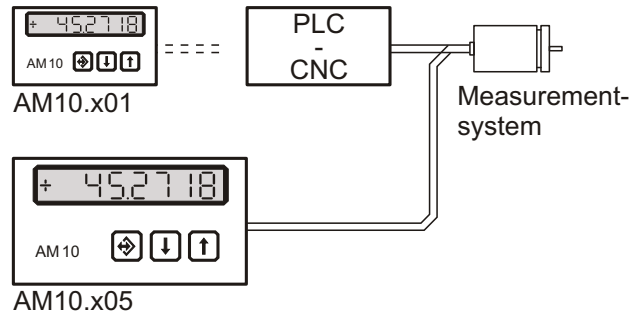
Direct connection

to various measurement-systems



Parallel connection

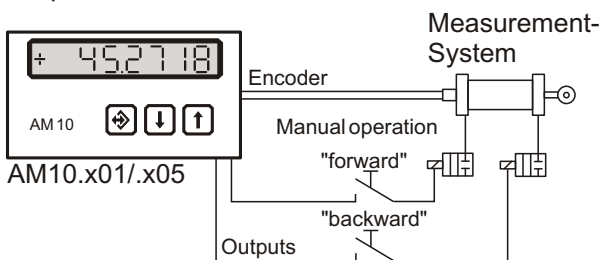
to other equipment like AM10 or PLC / CNC



Application examples

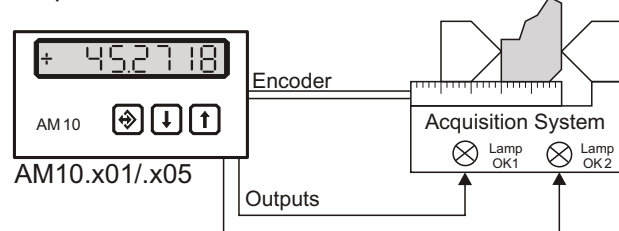
Displayunit with range-limiting function

Outputs with limit-switch function



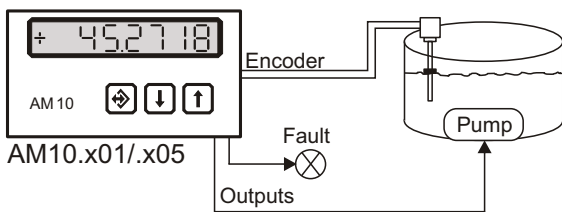
Measurement with tolerance monitoring

Outputs with cam-function



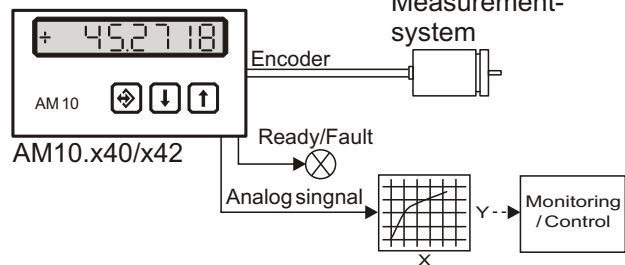
Level control with range monitoring

Outputs with cam and two-position controller



Interfacing analogous systems

with optional 16 Bit analog output



Order data

AM10.101 for incremental encoders, for direct as well as parallel connection

AM10.201 for SSI absolute encoders (direct connection only)

AM10.205 like AM10.201, for direct or parallel connection (adjustable)

AM10.401 for ultrasonic encoders (direct connection only)

AM10.405 like AM10.401, for direct or parallel connection (adjustable)

Options

AM10.xx6 4 Transistor-outputs (+24 V, high-side switch)

AM10.xx7 like AM10.xx6, for direct or parallel connection (adjustable)

AM10.x1x Delivers the displayed value to an RS232-Interface

AM10.x40 with 16 Bit analog output (selectable 0-10 V, 0-20 mA, 4-20 mA), supply voltage of 24 VDC +/- 20% required, with a "ready"-relay output, response of output can be defined freely within two points.

AM10.x42 like AM10.x40, for parallel connection only

AM10.x50 like AM10.x40, with RS232-Interface

AM10.x52 like AM10.x42, with RS232-Interface

Further options on request

Accessories (Samples)

AM10.xxx.2 Tabletop enclosure with integrated power supply (110 VAC/+24 VDC) and cord.

652.01014-0 Wall-plug (US-style), 110 V AC / +24 VDC, 0,5 A

Encoders Incremental-, SSI- and Transsolar measurement-systems on request.

Other accessories available. Please ask.